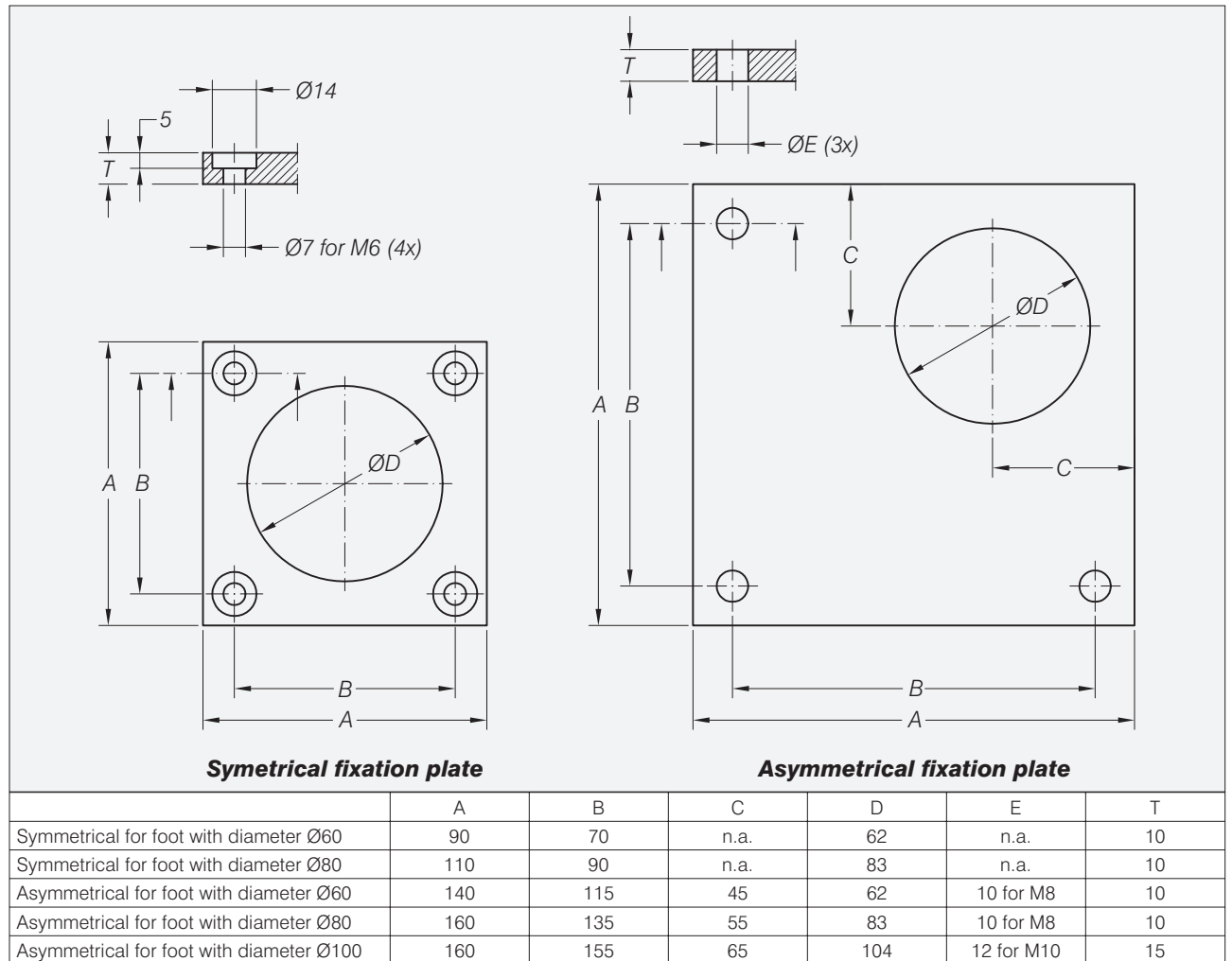


Fixation Plates for Feet 52-02/10/15

Material: black polypropylen

- Symmetrical for foot with diameter $\varnothing 60$.
- Symmetrical for foot with diameter $\varnothing 80$.
- Asymmetrical for foot with diameter $\varnothing 60$.
- Asymmetrical for foot with diameter $\varnothing 80$.
- Asymmetrical for foot with diameter $\varnothing 100$.

Dimensions Fixation Plates



Beam Type
Load Cells